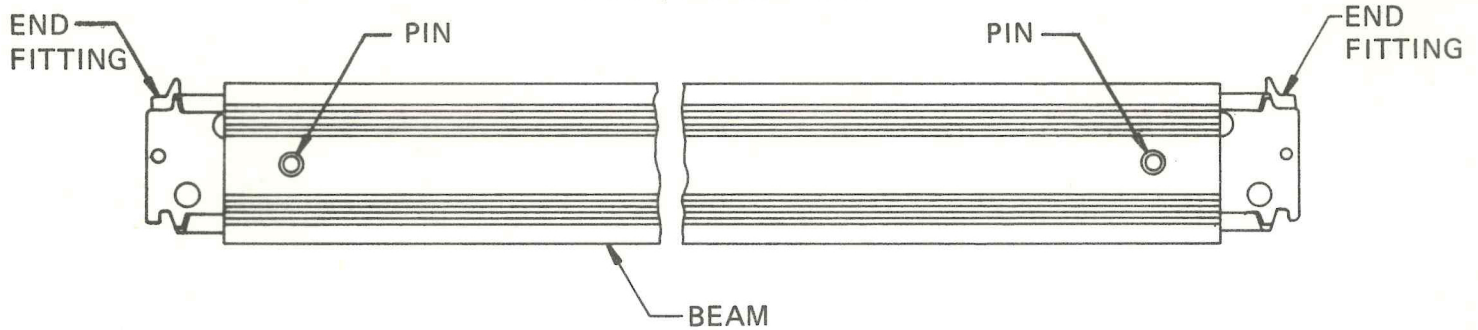


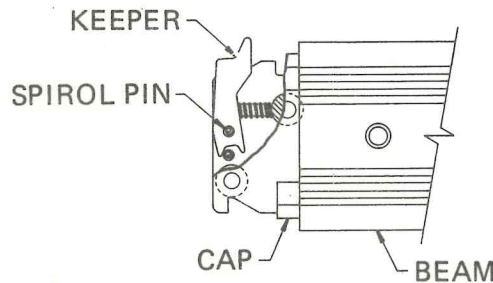
**REPAIR BULLETIN
SHORING BEAM ASSEMBLIES
41330, 42828 & 43638**



REPLACEMENT PROCEDURE FOR BENT BEAMS AND DAMAGED END FITTING ASSEMBLIES

1. Drill out staked end of Pin(s) with a 13/32" DIA drill and drive the Pin(s) out.
2. Remove End Fittings.
3. Replace Beam or End Fittings as required.
4. Install new Pin(s) and stake hollow end using a Ball Peen hammer or a 3/8" DIA Spherical Set.

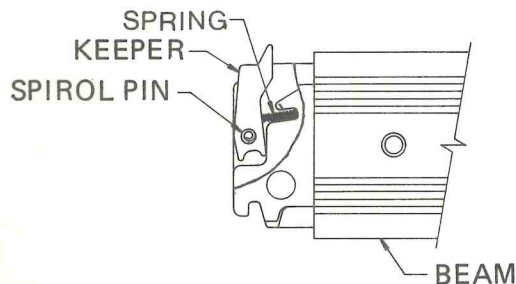
Note: Pin must be staked fully to insure adequate fitting retention (.42 DIA minimum).



REPAIR PROCEDURE FOR DAMAGED END FITTINGS ON 41330 BEAM ASSEMBLY

1. FOR BENT KEEPERS —
Drive out Spirol Pin, remove Keeper and replace with new part. Install new Spirol Pin.
2. FOR BENT PLATE ASSEMBLY —
Remove complete End Fitting assembly per "REPLACEMENT PROCEDURE".
Remove Caps from bent plate assembly. Reinstall Caps (using new Caps as required)
on new Plate Assembly. Reinstall End Fitting per "REPLACEMENT PROCEDURE".

(Reference Spare Parts Bulletin NO. 58A for individual part numbers)



REPAIR PROCEDURE FOR DAMAGED END FITTINGS ON 42828 & 43638 BEAM ASSEMBLIES

1. FOR BENT KEEPERS —
Drive out Spirol Pin and remove Keeper and replace with new part (replace Spring
when necessary). Install new Spirol Pin.

(Reference Spare Parts Bulletin NO. 62A for individual part numbers)