



Lift-@-Deck

THE DECK SYSTEM SPECIALISTS

TM



NORTH AMERICA'S LARGEST DESIGNER & MANUFACTURER
OF LOAD MAXIMIZING SYSTEMS

**CARGO SYSTEMS
DIVISION HQ**

2685 Circleport Dr.
 Erlanger, KY 41018
 Ph. 1.800.233.5138
 Fax: 1.800.371.4367
 cargo-sales@ancra.com

**MILITARY SALES
ERLANGER**

Michael Holmes
 1.800.233.5138

**AIRCRAFT SYSTEMS
DIVISION HQ**

875 W Eighth St
 Azusa, CA 01702
 Ph. 1.800.973.5092
 Fax: 1.626.334.8200
 aircraftsales@ancra.com

**INTERNATIONAL
CANADA**

520 Beards Lane
 Woodstock, Ontario
 N4S 7W3
 Ph. 1.866.962.0055
 Fax: 1.866.792.0058

**INTERNATIONAL
AUSTRALIA**

250 Governor Road
 Braeside VIC 3195
 Ph. +61.3.9587.6700
 Fax: +61.3.9587.1977
 sales@ancraaustralia.com

**INTERNATIONAL
NEW ZEALAND**

5A Hunters Park Drive
 Three Kings 1024
 Ph. +64.09.639.2080
 Fax: +64.09.624.1389
 sales@ancranz.com

www.ancracargo.com



3 STEP PROCESS

TO INCREASE PROFITS FOR YOUR FLEET

1

Evaluation

Work with customer service professionals to determine the best Lift-A-Deck II system for your fleet's application.

2

Testing

Ancra will assist in collecting and analyzing data, the test data collected will specifically show how you benefit from utilizing Lift-A-Deck II.

3

Training

A comprehensive training video will ensure properly trained loading professionals utilizing Lift-A-Deck II.

Key Training Benefits

Helps ensure all employees are trained to use the Lift-A-Deck II system properly.

Better training ensures the fleet owner is gaining maximum loading efficiencies.

Training Program

- Complete comprehensive Training Video available
- Contact Customer Service to speak to a deck system specialist at Ancra International for additional information on designing a custom training program to meet the needs of your company (800-233-5138)



& FEATURES & BENEFITS



Ancra Poly Deckboard
P/N: 50105-11

Over 20% Lighter than typical plywood
100% Recyclable Material



LOAD FREIGHT EASILY & SECURELY WITH LIFT-A-DECK II

- + Easily Operated by a Single Person
- + Deck at Multiple Heights
- + Deck System Stores at the Ceiling
- + Low Profile Trigger Assembly
- + Maximize Profits
- + Increase Load Average
- + Reduced Damage Claims by Avoiding Double Stacking of Freight

NARROW ALUMINUM PROFILE

AIRCRAFT STYLE CARGO TRACK CREATES A SECOND DECK FOR PALLETIZED FREIGHT.



THOUSANDS OF SYSTEMS IN USE

FITS MOST TRAILERS

96" WIDTH

OR

102" WIDTH

Available for 96- or 102-inch trailer widths
Height can be specified

CONVENIENT

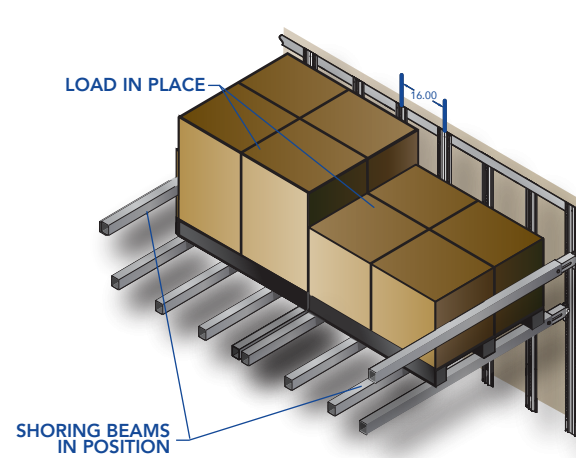
New shorter foot slide is designed for inspecting both locking lugs while installed in the trailer.

LOW PROFILE TRIGGER ASSEMBLY

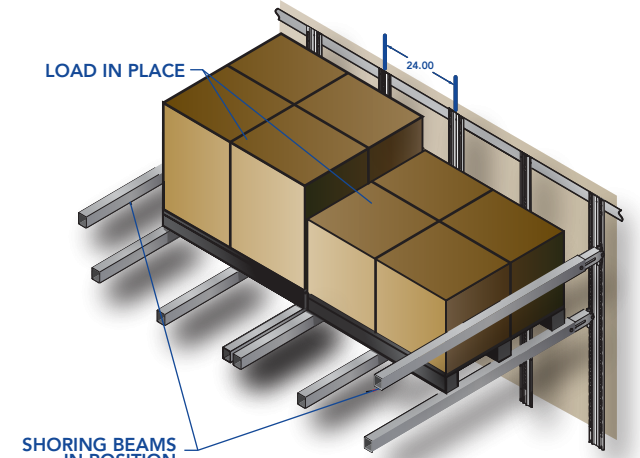
Large surface area of foot assembly on the system track enables the beam to take abuse from Forklifts without binding in the track.



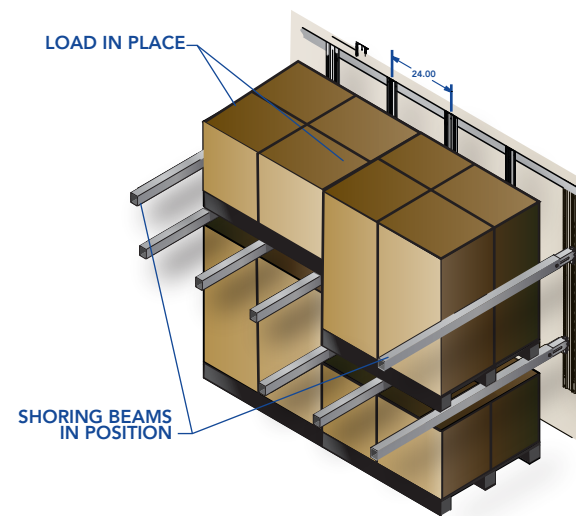
CONFIGURATIONS



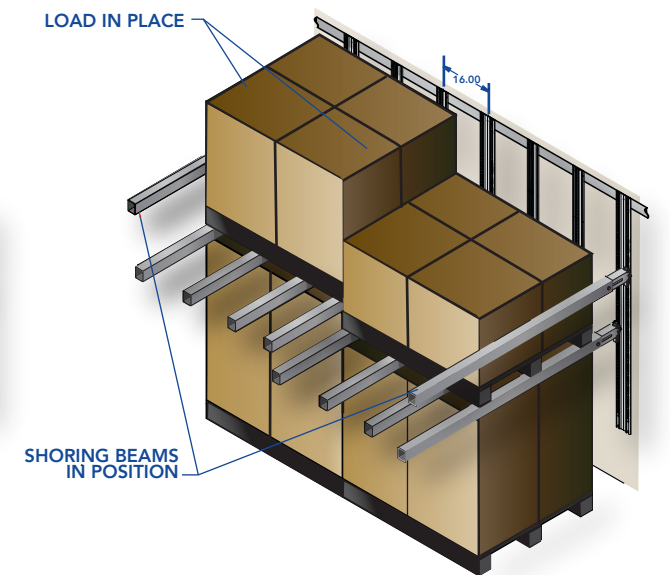
SINGLE & DOUBLE SYSTEM ON 16-IN. CENTERS (DOUBLE-SINGLE-SINGLE-DOUBLE)
+ Pallets rest on 4 individual beams



SINGLE & DOUBLE SYSTEM ON 24-IN. CENTERS (DOUBLE-SINGLE-DOUBLE)
+ Pallets rest on 3 individual beams



SINGLE & DOUBLE SYSTEM ON 24-IN. CENTERS (DOUBLE-SINGLE-DOUBLE)
+ Ability to deck at multiple heights



SINGLE & DOUBLE SYSTEM ON 16-IN. CENTERS (DOUBLE-SINGLE-SINGLE-DOUBLE)
+ Ability to deck at multiple heights

CUSTOMIZATION

An Ankra Deck System Specialist can assist in determining the Lift-A-Deck II configuration that best meets your fleet's needs.

MAXIMIZE PROFITS

Increase load average and maximize profits for every load with the easily adapted Lift-A-Deck II system.

TRACK



49562-17-72.00
Standard Single Row S-Track
72-inch
Weight - 2.70 lbs.



50058-18-72.00
Low Profile Single Row Flanged S-Track
72-inch / Weight - 4.20 lbs.



50072-14-72.00
Double Row Flanged S-Track
72-inch / Weight - 6.78 lbs.

DECKING SHORING BEAMS



REDESIGNED

Updated foot assembly is engineered to allow the inspection of both locking lugs without removing beams from their track.

SECURE

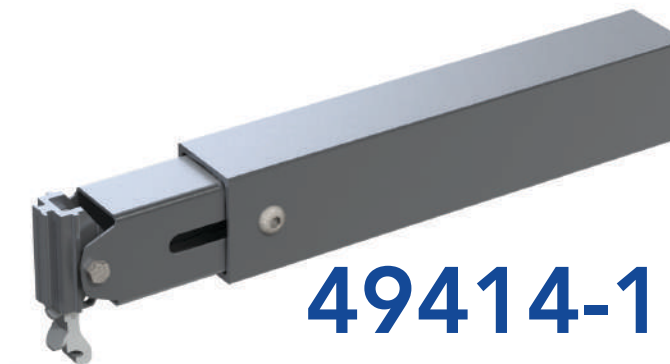
High strength design prevents beams from jamming in the track if hit by a forklift.

CONVENIENT

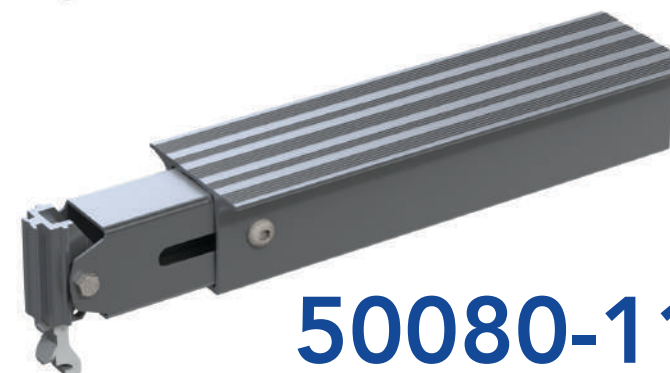
When not in use, beams conveniently store in the ceiling. No more beams left behind on loading docks.



49414-15



49414-19



50080-11



50312-10

	WLL Decking	WLL Shoring	Max Cargo	Weight
49414-15 Standard Duty Beam	2,200 lbs	2,200 lbs	550 lbs	18.1 lbs
49414-19 Heavy Duty Beam	3,000 lbs	2,500 lbs	750 lbs	19.7 lbs
50080-11 Wide Flanged Beam	4,000 lbs	Not Recommended	1,000 lbs	24.9 lbs
50312-10 Reinforced Wide Flanged Beam	4,000 lbs	2,500 lbs	1,000 lbs	26.7 lbs

*Max cargo is the maximum recommended cargo weight per beam, to allow for expected 4G transport dynamics.

PRECISE

System track precision machined, no lubrication required.

BROAD

Widest choice of track types to meet every application.

CUSTOM

Custom lengths and profiles for specific needs of every fleet.

ACCESSIBLE

Beam access slot allows easy beam removal and replacement.

STANDARD TRACK LENGTH 72 INCHES

